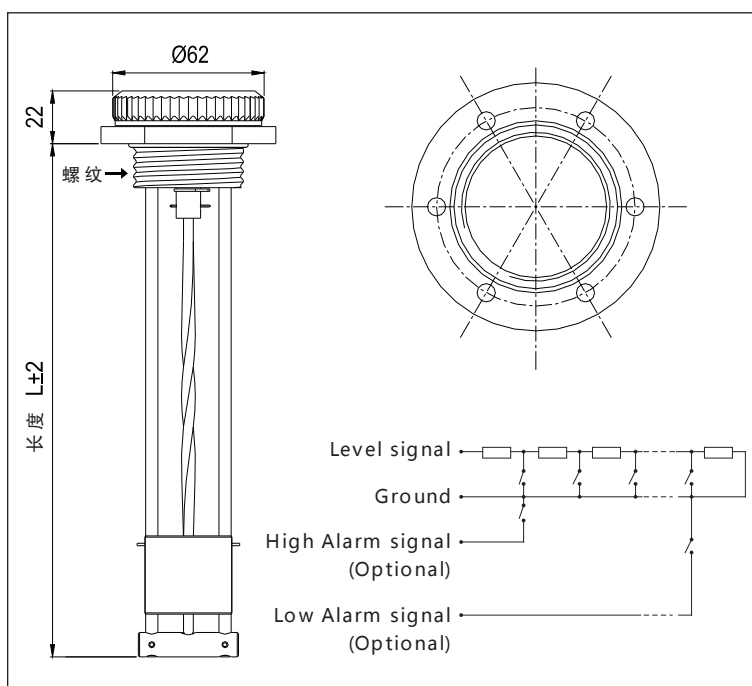




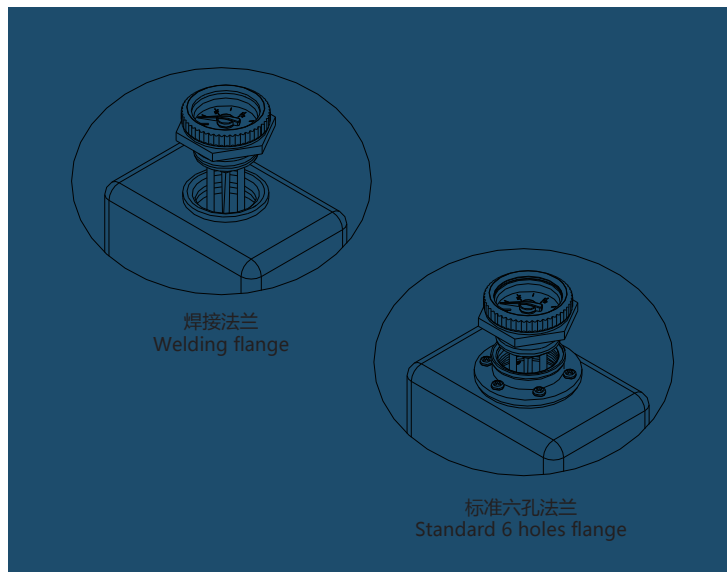
- 机械式仪表集液位探测及液位显示于一体,无需电源即可正常工作。可根据客户需要增加高、低位报警功能。
- 此仪表广泛应用于各类发电机、发动机等的燃油箱、水箱上,不建议在车辆上使用。
- The mechanical gauge integrates the function of level measuring and level display level without power supply. High and low alarm function can be added to the gauge according to customer requirement.
- This gauge largely applies to fuel tanks of generators and engines. It also applies to water tanks. Not recommended for vehicles.

- 工作温度: -40~+85°C
- 显示精度: 5%
- 主体材料: 铝合金
- 螺纹接口: M45x2或BSP 1 1/2
- 法兰(选配): 标准六孔焊接法兰
- 旋紧扭力矩: 300~400N.m
- 长度范围: 120~700mm
- 报警开关: 选配,可选择高位或者低位报警,报警电流小于500mA,报警点可设在9/10和1/10位置。
- 信号输出: 输出9个电阻信号,可根据客户要求定制阻值范围。
- Operating temperature : -40~85°C
- Integrated precision : 5%
- Main material : Aluminium alloy
- Threading types : M45x2 or BSP 1 1/2
- Flange (Optional) : Standard 6-hole, welding flange.
- Screwing torque : 300~400N.m
- Length range: 120~700mm
- Alarm switch : Optional high or low level alarm switch can be set at 9/10 or 1/10 level. Alarm current is < 500mA. The alarm point can be set at the level of 9/10 and 1/10.
- Signal output: The product can output 9 resistance signals, resistance range can be customized.



长度(mm) Length	主体螺纹 Main body thread	报警 Alarm	法兰类型 Flange modle	备注 Remark
120 ~ 700	<input type="checkbox"/> M45×2 <input type="checkbox"/> BSP 1 1/2" <input type="checkbox"/> M47×1.5 <input type="checkbox"/> NPT 1 1/2"	<input type="checkbox"/> 无报警/No <input type="checkbox"/> 低位报警/Low alarm <input type="checkbox"/> 高位报警/High alarm <input type="checkbox"/> 高低位报警/High & low alarm <input type="checkbox"/> 信号输出/Output singal	<input type="checkbox"/> A <input type="checkbox"/> B <input type="checkbox"/> C	法兰类型请参考附页说明。 Attached appendix of flanges for your reference.
* 请定义你所需规格。 Please define your specification.				

机械式仪表 Mechanical Gauge



- 装配螺纹有M45×2与BSP1 1/2两种规格
 - 油箱上无法制作螺纹，则可使用配套法兰
 - 标准六孔法兰配螺丝锁紧
 - 选用焊接法兰与油箱焊接
-
- Threading types:
M45×2 and BSP 1 1/2.
 - If there is no threadings on the tank, then a matched flange can be applied.
 - The standard 6 holes flange(locked by screws).
 - The welding flange(weld onto the tank).

法兰类型参照表：
Appendix of flanges:

法兰 Flange	料号 Art. No.	材质 Material	螺纹规格 Thread	L1(mm)	L2(mm)	类型 Modle	图例 Style
	JSA0100	Alu.	M45×2	18	—	A	
	JZA0164	Alu.	M45×2	15	12	B	
	JZM0429	Fe	M45×2	15	12		
	JZM0515	SUS 316	M45×2	20	15		
	JZM0658	Fe	BSP 1 1/2"	15	12		
	JZM0807	SUS 316	M45×2	50	45		
	JZM1193	Fe	M45×2	25	10		
	JSA0265	Alu.	BSP 1 1/2"	15	12		
	JZM0774	Fe	BSP 1 1/2"	30	—	C	

* 详细信息，请与我司联系！ Please contact us for more details.